

3/06/03

DMKI-FPTE 1800031R0

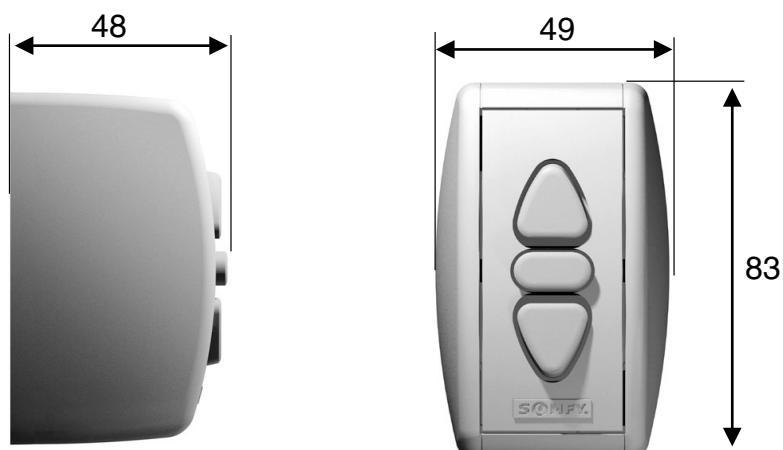
designation	Inis Keo surface mounted - fixed position
reference	1800031
range	keo

FUNCTIONS

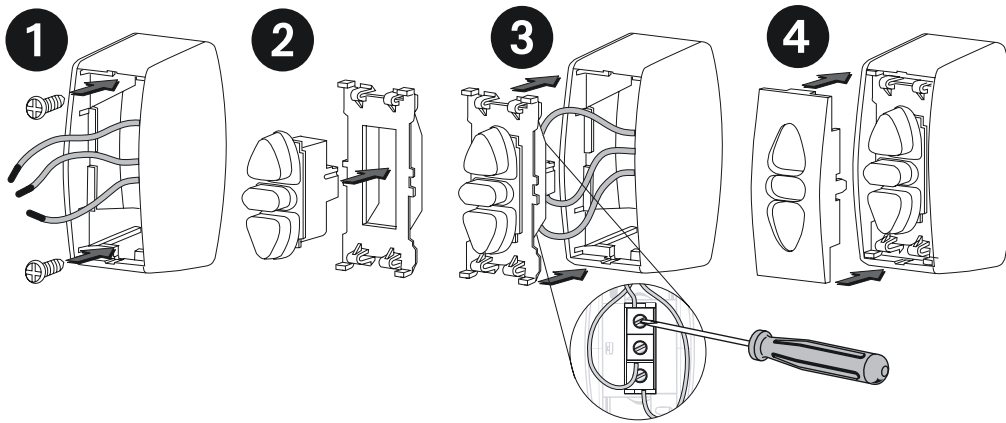
- Single control switch for an AC motor.
- Surface mounted.
- Fixed position.

**TECHNICAL SPECIFICATIONS**

Material	ABS
Colour	white
Output contacts	250 V AC, 6 A
Weight	50 g
Homologations	

DIMENSIONS

MOUNTING



CABLING

